

Glass Level Measurement & Control Device
 Model GLB8210 (Elec. Motor drive)



GlassPecker

“GlassPecker” measures accurately the level of molten glass for long period under the high temperature and severe environment. It achieves constant and stable control of the metal line.

Features

- High precision···System accuracy : $\pm 0.1\text{mm}$
 (Reproducibility : $\pm 0.05\text{mm}$)
- High reliability···Provides stable measurement for long-term operation.
- Easy maintenance···Simple structure is easy to give maintenance service under high temperature.



Glass Level Sensor: Water-cooled horizontal pole probe
GL-21 (Standard color: black)



Intelligent Glass Level Controller
LB-8000

Measurement display range	-5.00 to +5.00mm or -10.00 to +10.00mm
Accuracy (under standard test procedure)	System accuracy : $\pm 0.1\text{mm}$ or smaller (Reproducibility: $\pm 0.05\text{mm}$ or smaller)
Measurement interval	15 seconds minimum (adjustable)
Horizontal pole sensor (standard)	Double tubed, water-cooled stainless steel pipe with length of 1,500mm
Platinum sensor (standard)	Pt-Rh $2\phi \times 110\text{mm}$
Transmission signal of measurement	DC4~20mA (Load resistance 650 Ω)
Output for control	DC4~20mA PID or Contact ON-OFF (Load AC 250V 4A)
Event output	SPST 2 contacts (Load AC 250V 1A)
Output for leveler alarm	SPST 1 contact (Load AC 250V 3A)
Power supply and consumption	AC100V 50/60Hz 70VA
Cooling water connection	RC1/2 hose joint (Temperature of return water: 40 degC max.)
Cooling air connection	50A steel pipe nipple (Allowable internal temperature of level sensor : 60degC)

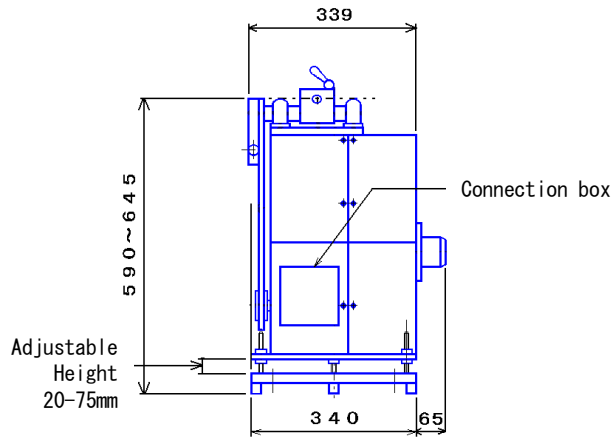
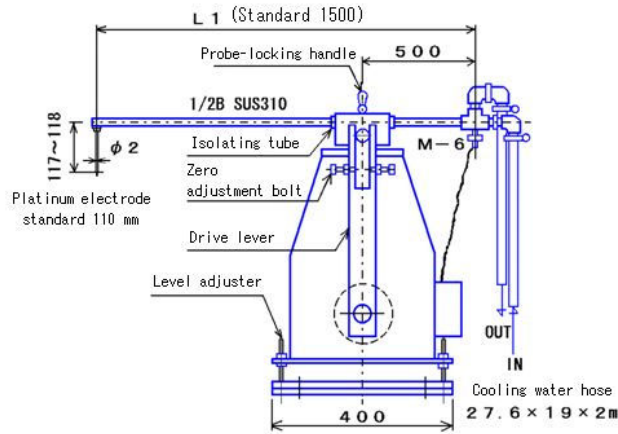


Kyoto EIC Co., Ltd.

H. Office: 〒613-0034 1-4 Nishinokuchi, Sayama,
 Kumiyama-cyo, Kuse-gun, Kyoto Japan
 Tel: +81-774-41-5150 / Fax: +81-774-46-3553
 Tokyo office: 〒146-0094 1-18-2 Higashiyaguchi
 Ohta-ku, Tokyo Japan
 Tel: +81-3-6715-8183 / Fax: +81-3-6715-8184
<http://www.kyotoeic.co.jp>

Glass Pecker GLB8310

1. Dimensions



2. Configuration and Connection

